



Dated: 29th January 2016

Notice Inviting Quotations

Sealed quotations are invited from manufacturers, suppliers, fabricators and agents for the following item as mentioned below:

Item No. 1

Mechanical fabrication of a Wind Tunnel Model Testing Setup (External Force Balance) as per the attached drawing.

Specification:

- Max lift force - 10Kgf, Drag force - 10 Kgf
 - Max. wind velocity 66 m / sec.
 - Max. self body drag - 15 N
 - Base footprint - 60 cm x 100 cm
 - Max Height - 320 cm
 - No motor drive for base rotation
 - 2 load cell (S type) to be fitted for measuring lift and drag
 - linear bearing (UMF 10 mm - 4 nos.) support for carriage.
 - LMF bearing 20 mm for vertical principal strut support
- Material - Composite structure made of aluminum, mild steel and perspex as specified in the drawings with proper strength and finishing to carry model load (maximum 5 kg.)

The fabricated setup should be delivered within 10 (ten) days from the date of placement of Purchase Order.

The sealed quotation should be submitted to :

The Head of the Department
Department of Aerospace Engineering and Applied Mechanics,
IIEST, Shibpur, Howrah - 711103.

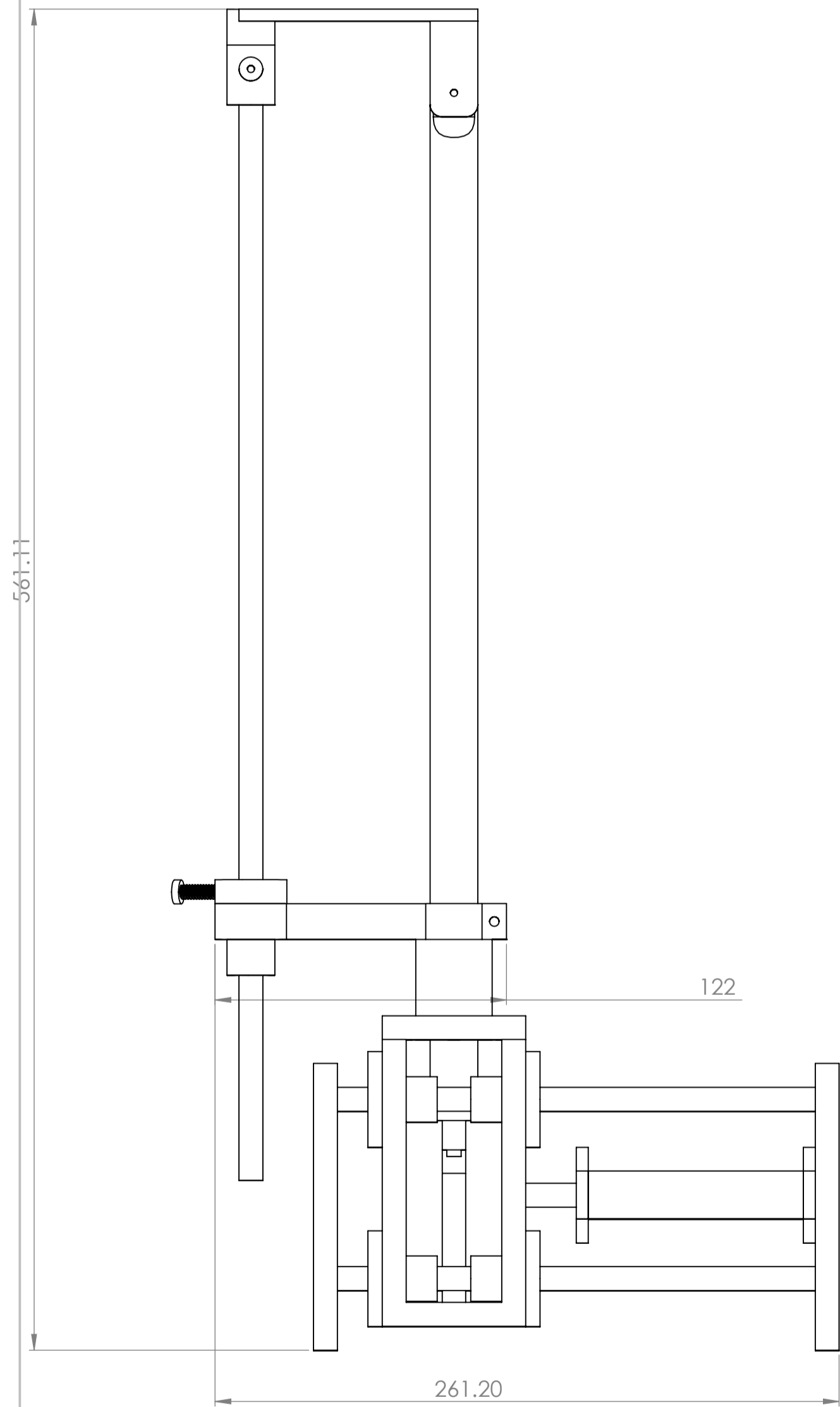
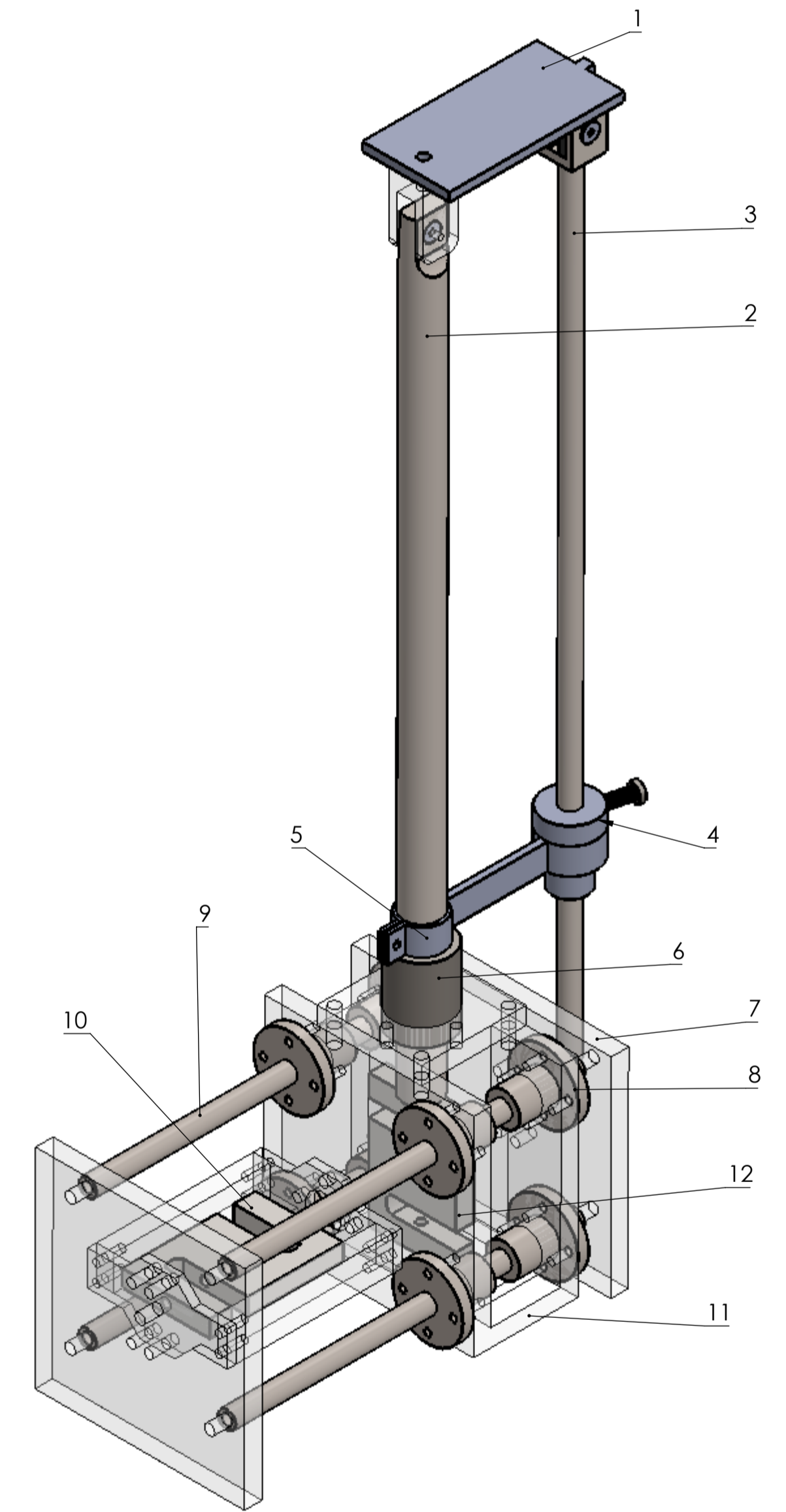
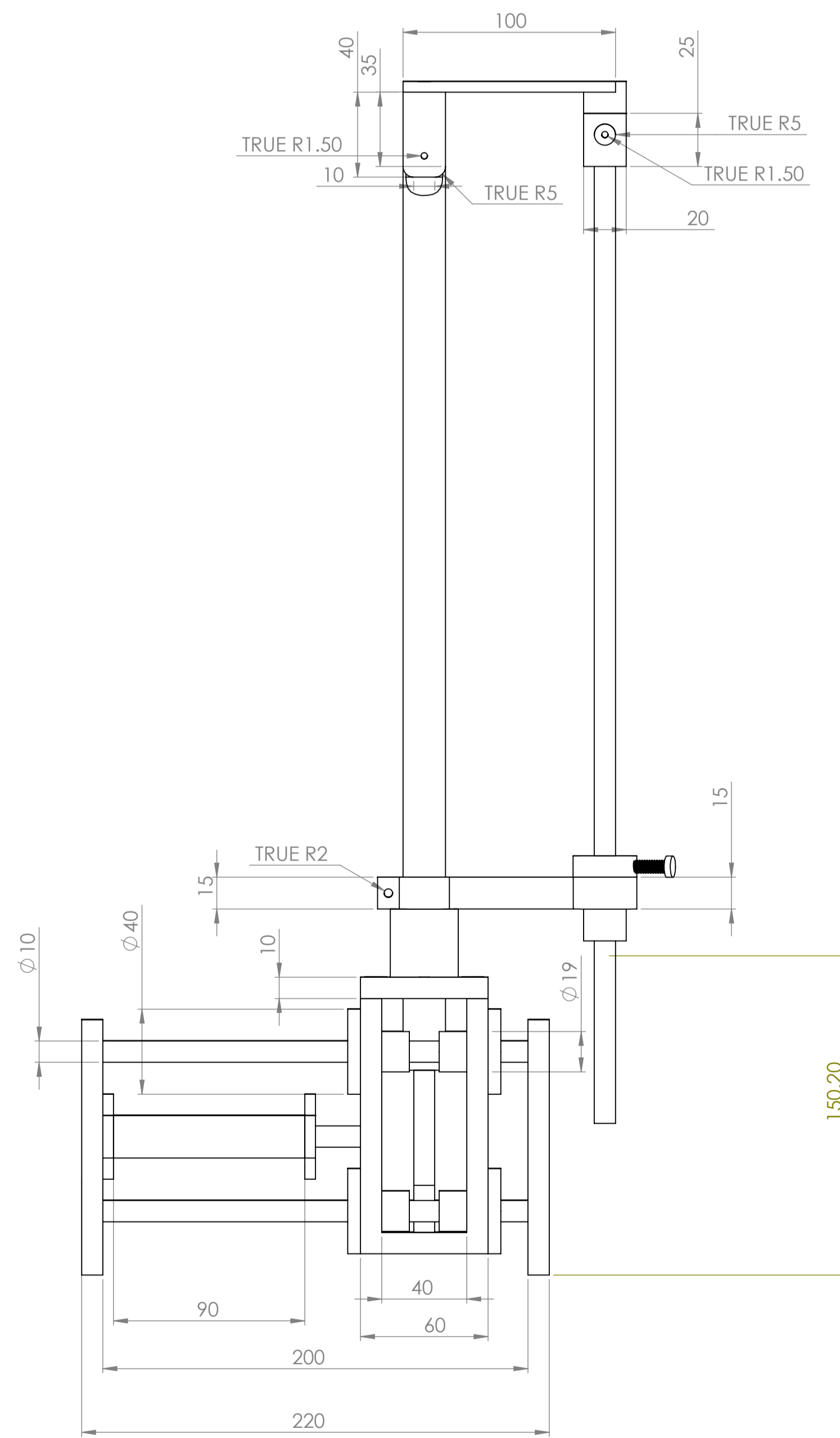
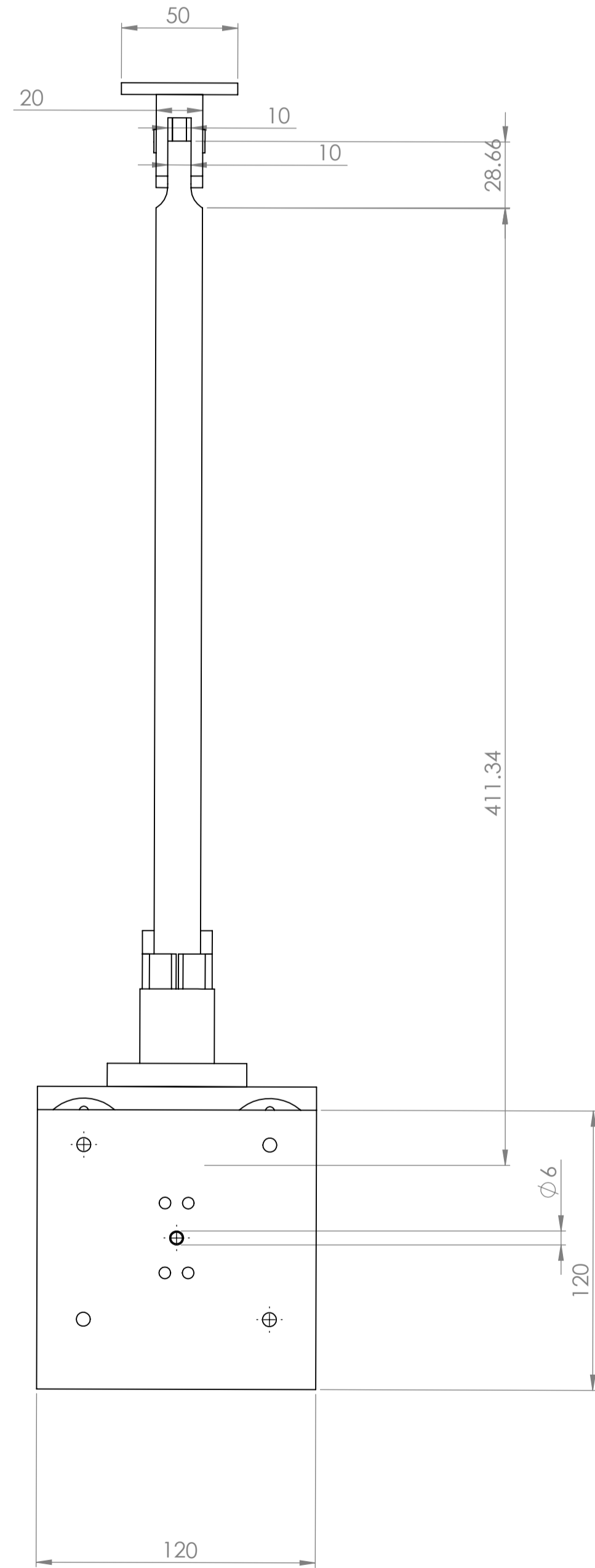
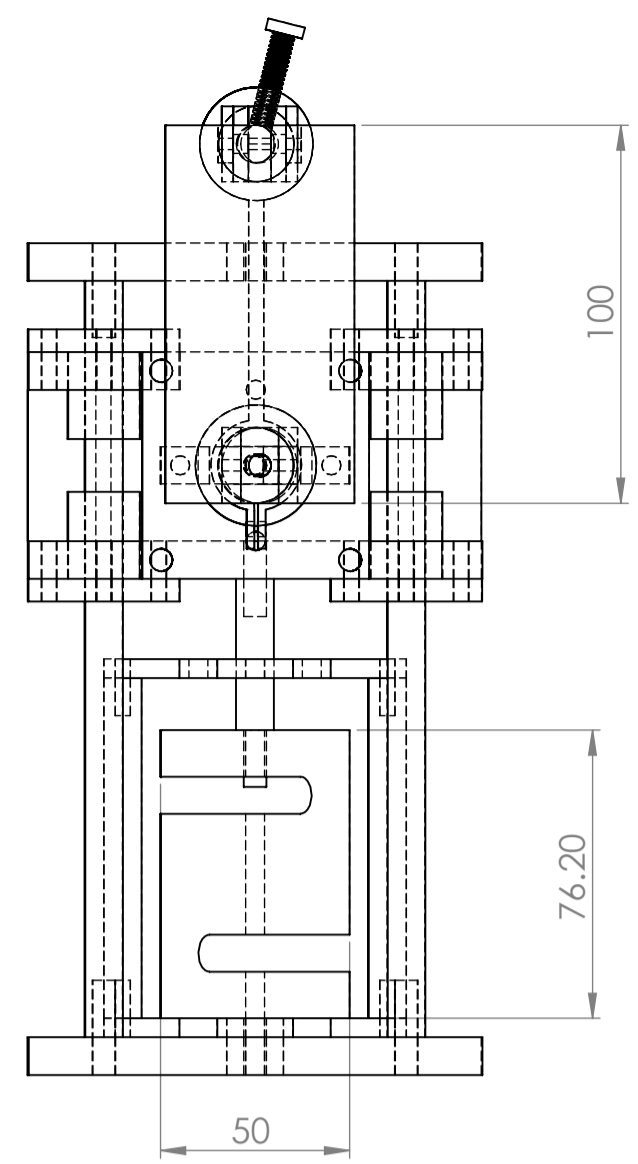
Last date of submission : 10.02.2016 (Wednesday) upto 2.00 p.m.;

Date of opening : 10.02.2016 (Wednesday) at 3.00 p.m.

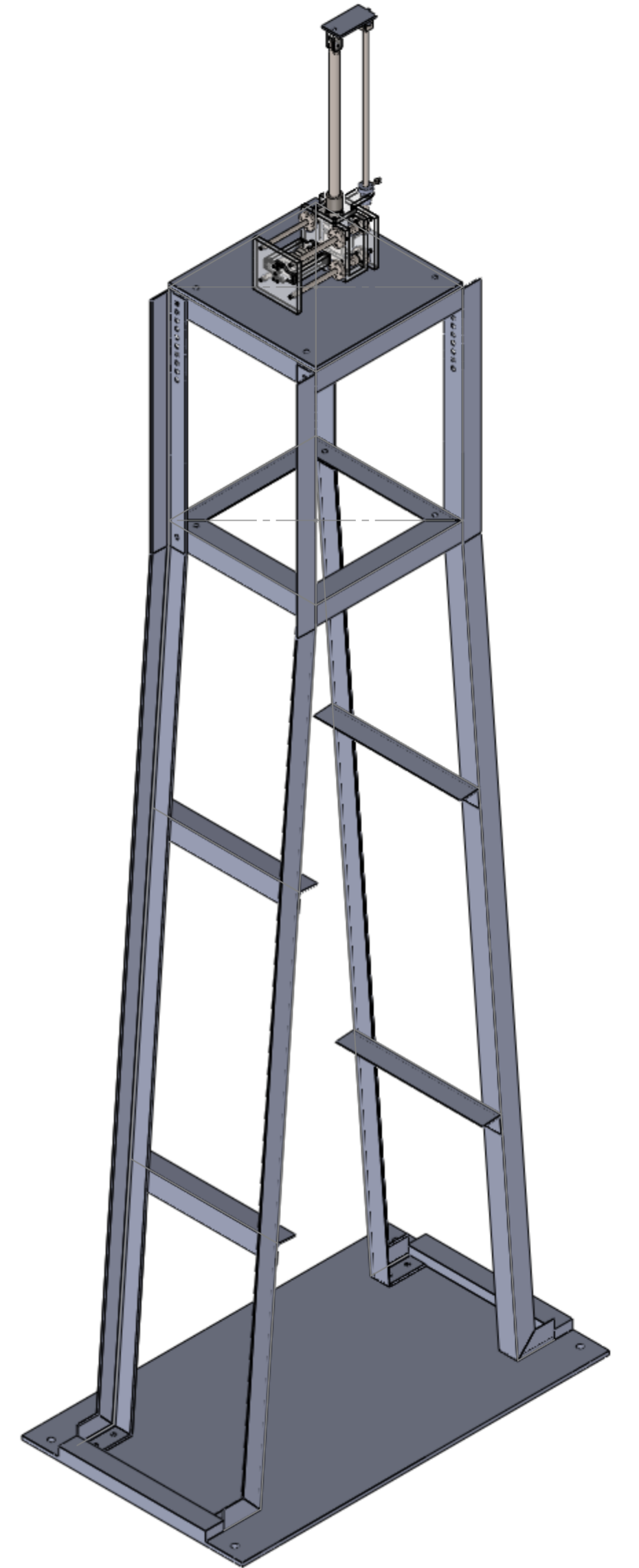
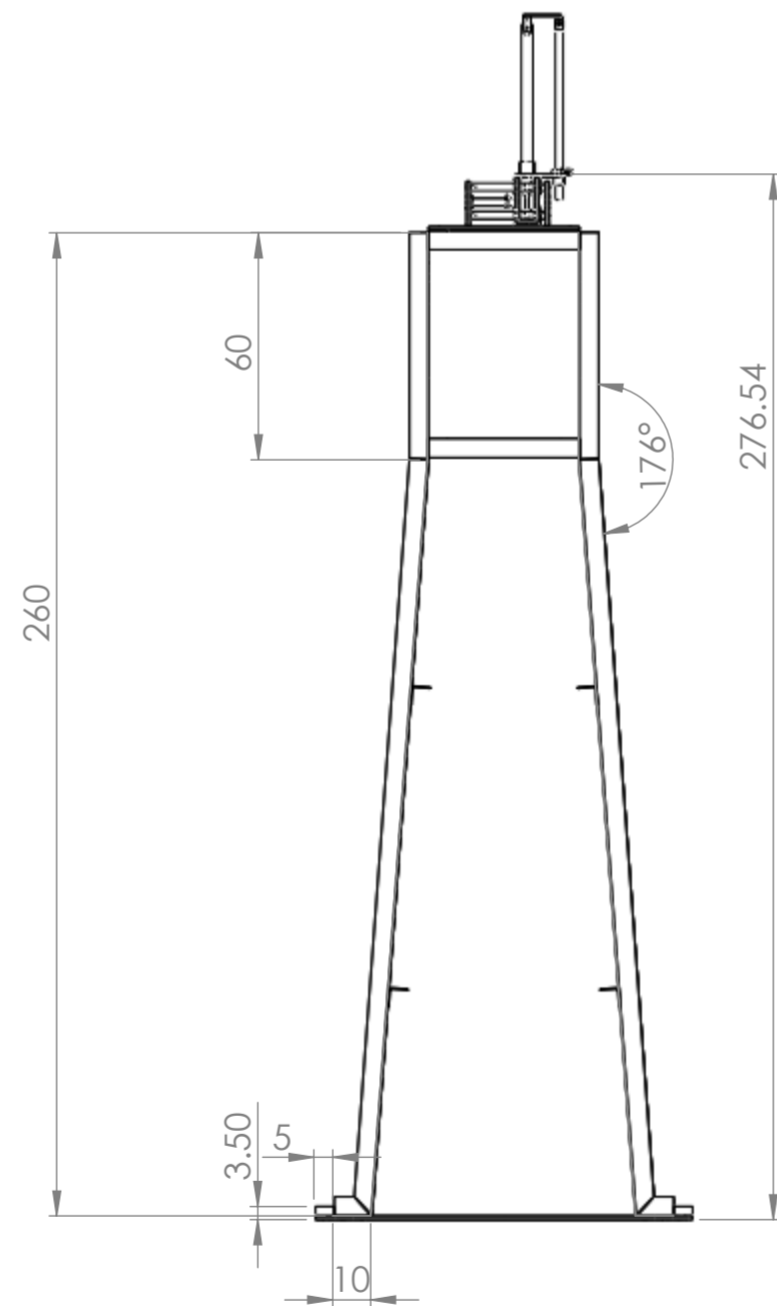
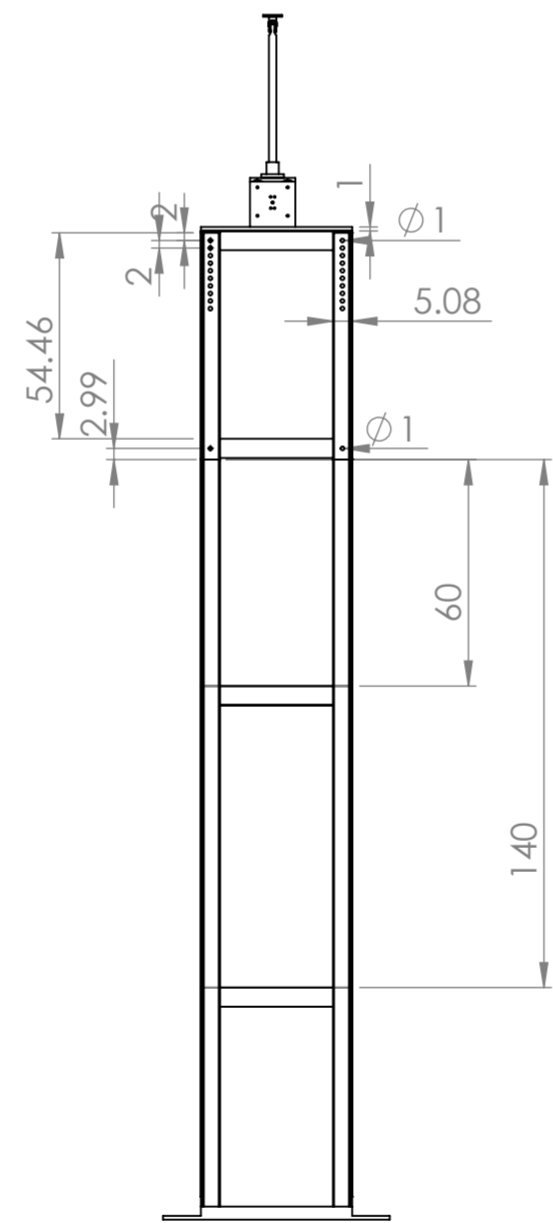
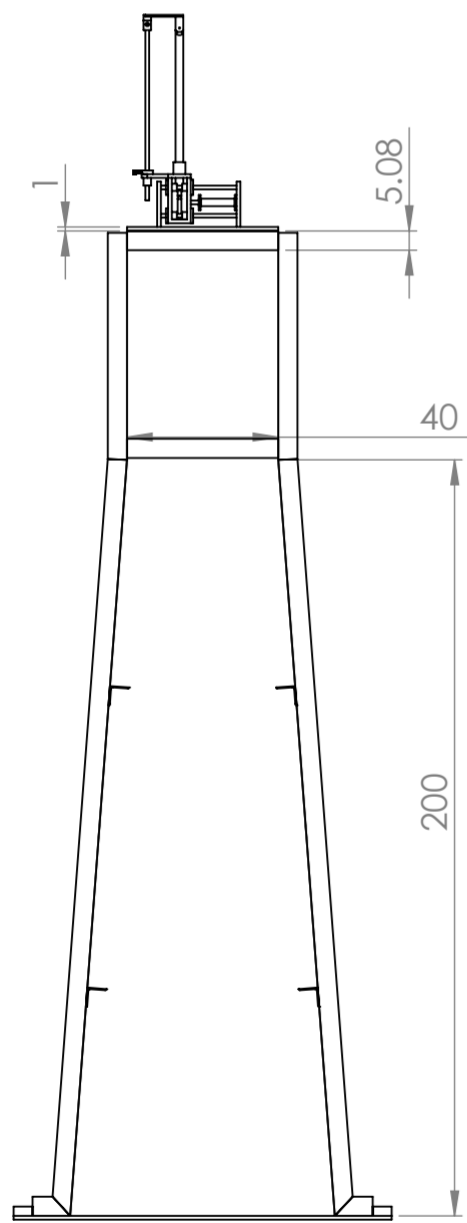
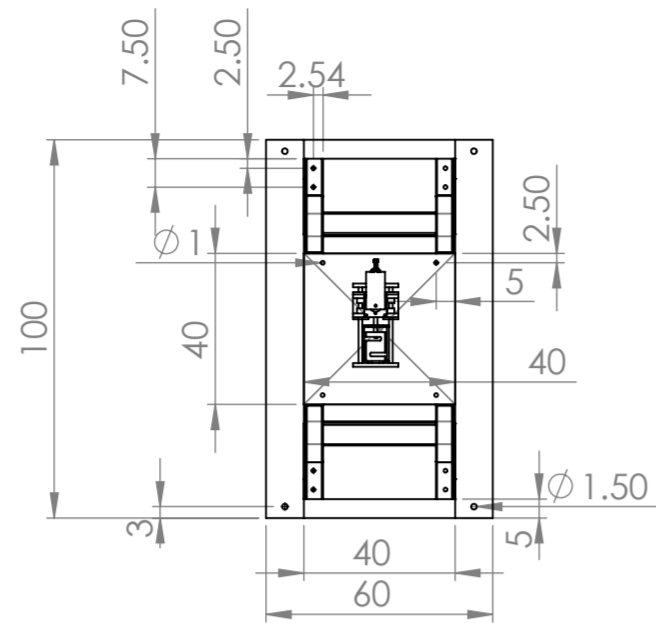
(Subhasis Bhaumik)
Professor and Head

Copy to : (1) Notice Board of A.E. & A.M.
(2) Institute Website .

- 1 PLATE FOR HOLDING A PROTOTYPE
- 2 PRINCIPLE STRUT
- 3 STRUT TO ADJUST ANGLE OF ATTACK
- 4 ANGLE OF ATTACK ARRANGEMENT KNOB
- 5 CLIP
- 6 VERTICAL LINEAR BEARING
- 7 CARRIAGE SUPPORT
- 8 LINEAR BEARING FOR CARRIAGE SLIDING
- 9 LINEAR GUIDER
- 10 S-LOAD CELL FOR DRAG
- 11 CARRIAGE
- 12 S-LOAD CELL FOR LIFT



UNLESS OTHERWISE SPECIFIED: DIMENSIONS ARE IN MILLIMETERS			FINISH:	DEBUR AND BREAK SHARP EDGES	DO NOT SCALE DRAWING	REVISION
SURFACE FINISH:						
TOLERANCES:						
LINEAR:						
ANGULAR:						
DRAWN	NAME	SIGNATURE	DATE		TITLE:	
CHK'D						
APP'VD						
MFG						
Q.A						
				MATERIAL:ALD STEEL+ALUMINIUM	DWG NO.	
					ASSEMBLY	A1
				WEIGHT:	SCALE:1:5	SHEET 1 OF 1



UNLESS OTHERWISE SPECIFIED: DIMENSIONS ARE IN CENTIMETERS				FINISH:		DEBUR AND BREAK SHARP EDGES		DO NOT SCALE DRAWING		REVISION	
SURFACE FINISH:											
TOLERANCES:											
LINEAR:											
ANGULAR:											
DRAWN - AKSHAY		NAME		SIGNATURE		DATE		TITLE: STAND ASSEMBLY			
CHK'D											
APP'VD											
MFG											
Q.A								MATERIAL: MILD STEEL		DWG NO. FULL DRAWING A2	
								WEIGHT:		SCALE: 1:20 SHEET 1 OF 1	